



Soft seal
Ball valve
Trunnion ball valve

Flange
Class 150/300 lbs
NPS 6 " -12 "

Range of application:

In industrial facilities, oil and chemical industry and related manufacturing industries

Temperature range:

Max. working temperature :
 -29°C to +200°C (carbon steel)
 -196°C to +200°C (stainless steel)

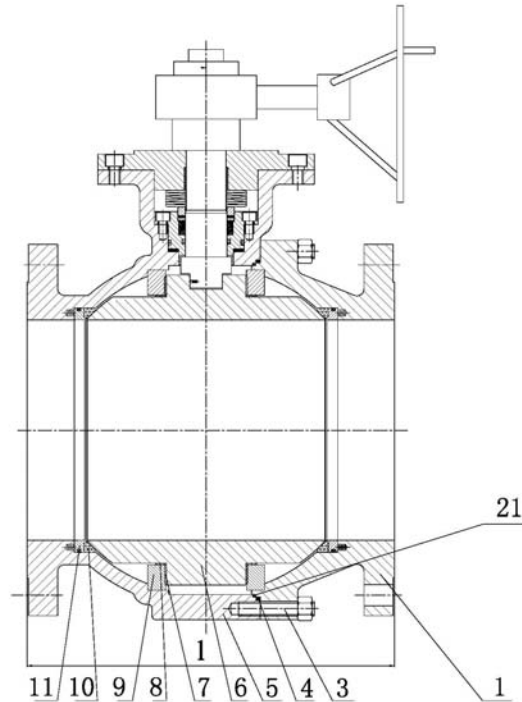
Perform standard:

Design: split body with full bore round port , floating ball.
 API 6D ASME B16.34
 Face to face acc.: ASME B16.10
 Flange : ASME B16.5.
 Design of minimum wall thickness calculation : EN12516-1
 Operating: with a two flat stem acc to the NAMUR
 -recommends.
 90° -rotary switch
 Actuator mounting: mounting flange acc. to ISO5211
 for gear box , air- , electric-or hydraulic pattern actuator .
 Fire test : API 607 & BS 6755 .
 Antistatic device : BS5351

Material [cording ASTM]

Body: CF8M/CF8/CF3M/CF3/WCB
 Ball: F316/F304
 Body Seal: PTFE / Graphite
 Seat: PTFE/ RPTFE/
 TFM1600/ VX1/
 PEEK

FIG.	Class	Material	RANGE
131.791	150LB	WCB	6" - 12"
132.791	300LB	WCB	6" - 12"
151.791	150LB	CF8M	6" - 12"
152.791	300LB	CF8M	6" - 12"



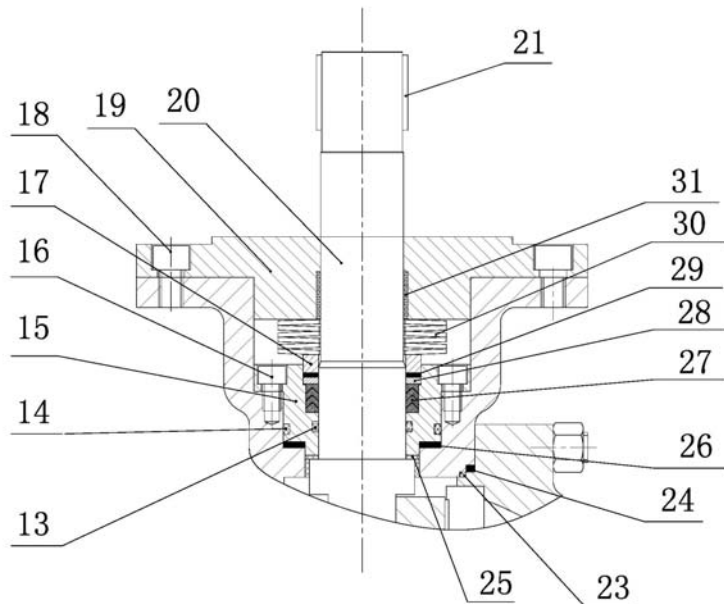
Ball valve with full bore and Flange .

Material list

NO.	Part	Material	
		FIG. 151.791/ 152.791	FIG. 131.791/ 132.791
1	Adapter	CF8M / CF8 / CF3M / CF3	WCB
3	Bolts	B8M	B7
4	Body Seal	Graphite	Graphite
5	Body	CF8M / CF8 / CF3M / CF3	WCB
6	Ball	F316	F304
7	Trust bearing	316+PTFE+MoS2	304+PTFE+MoS2
8	Gasket	PTFE	PTFE
9	Bracket	316	304
10	Seat	PTFE/ RPTFE / TFM1600/ VX1/PEEK	PTFE/ RPTFE / TFM1600/ VX1/PEEK
11	Support plate	316	304
21	Body seal	PTFE	PTFE

Stopfbuchs-Varianten

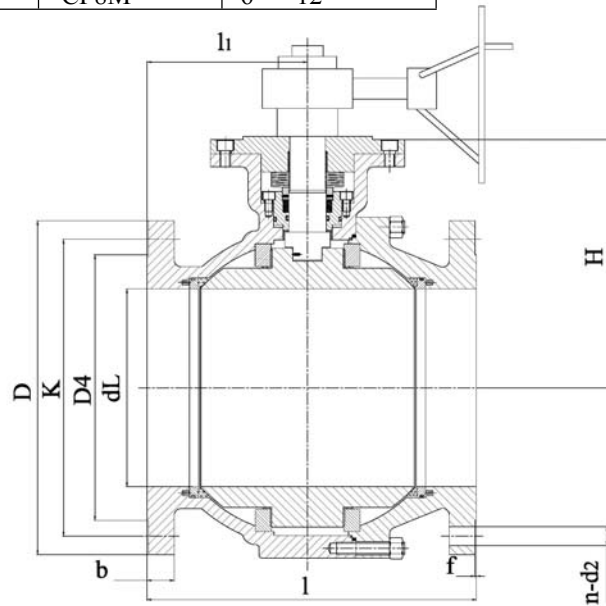
VGS PTFE + GRAPHITE + SPRING
(TA AIR + FIRE SAFE)



Material list

NO.	Part	Material	
		FIG. 151.791/ 152.791	FIG. 131.791/ 132.791
13	O - Ring	VITON	VITON
14	O - Ring	VITON	VITON
15	Packing-box	316	A105+ENP
16	Bolts	B8M	B7
17	Metal-ring	316	304
18	Bolts	B8M	B7
19	Gland	316	A105
20	Stem	17-4PH/F316	17-4PH/F316
21	Key	45	45
23	Body seal	PTFE	PTFE
24	Body seal	Graphite	Graphite
25	Gasket	PTFE	PTFE
26	Gasket	Graphite	Graphite
27	Packing	PTFE	PTFE
28	Gasket	316	316
29	Packing	Graphite	Graphite
30	Belleville spring	17-7PH	17-7PH
31	Trust bearing	316+PTFE+MoS2	304+PTFE+MoS2

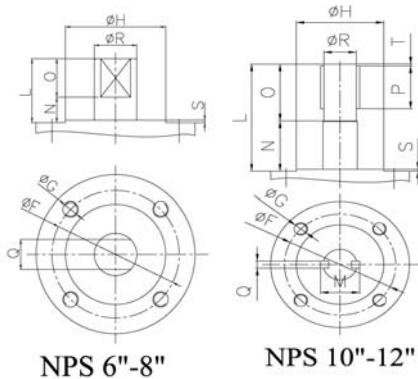
FIG.	Class	Material	RANGE
131.791	150LB	WCB	6" - 12"
132.791	300LB	WCB	6" - 12"
151.791	150LB	CF8M	6" - 12"
152.791	300LB	CF8M	6" - 12"



Ball valve with full bore and Flange . Flange end: API 6D ASME B16.5; Face to face: ASME B16.10 .

Dimension List

Class	Size	dL	L	L1	H	D	b	K	n-d2	D4×f	Weight
150 lbs	6"	150	394	175	256	279	25.4	241.3	8-Φ22	Φ216×1.6	
	8"	200	457	200	315	343	28.5	298.5	8-Φ22	Φ270×1.6	
	10"	250	533	225	316	406	31	362	12-Φ25	Φ324×1.6	
	12"	300	610	240	383	483	32	432	12-Φ25	Φ381×1.6	
300 lbs	6"	150	403	175	256	318	36.6	269.7	12-Φ22	Φ216×1.6	
	8"	200	502	200	315	381	41.2	330.2	12-Φ25	Φ270×1.6	
	10"	250	568	225	316	445	48	387.5	12-Φ29	Φ324×1.6	
	12"	300	648	240	383	521	51	451	16-Φ32	Φ381×1.6	



Dimension List

NPS	ΦF	ΦG	ΦH	L	O	N	Q	ΦR	S	M	P	T
6"	140	M16	100	61	39.8	21.2	20	36	3			
8"	125	M12	85	61	39.8	21.2	27	50	3			
10"	165	M20	130	172	90	82	12	50	3	58	70	3
12"	254	M16	200	172	90	82	14	55	5	69	70	3

Edit: FengChunyan
 Suzhou Fleu valve Co.Ltd
 No.767 Huagang Road

Checking: WangHuanyu
 Tel : 0086 512 63430669
 Fax : 0086 512 63409789

Approved: ZWS
 Date: 12.Apr.2019
 E-mail : szsales@fleu-valve.com
 http : //www.fleu-valve.com

Connecting format

Flanged		
Pressure rating	Flange dimension	Sealing form
150Lb 300Lb	ASME B16.5	ANSI Ra max : 12.5 μm Rz max : 50 μm

Installation instructions

Installation site is not prescribed.
Regardless of the flow direction.

Details please consult.

Technical parameters

Flow characteristics - Kv (m³/h)

Size	6"	8"	10"	12"
Kv	3500	6500	10200	14700

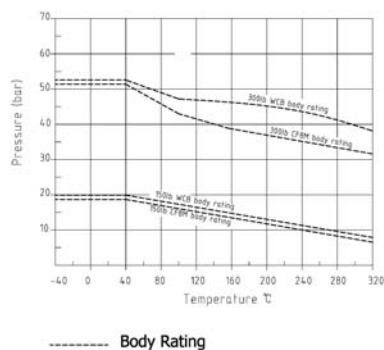
Open torque - Nm

Class (bar)	Size			
	6"	8"	10"	12"
0	126	180	321	500
150	297	450	852	1282
300	553	1010	1648	2455

Maximum and minimum

Size	6"	8"	10"	12"
M _d max	3500	4800	—	—
M _d min	63	90	160	250

Allowable pressure in dependence of the temperature



Details please consult.

Edit: FengChunyan
Suzhou Fleu valve Co.Ltd
No.767 Huagang Road

Checking: WangHuanyu
Tel : 0086 512 63430669
Fax : 0086 512 63409789

Approved: ZWS

Date: 12.Apr.2019
E-mail : szsales@fleu-valve.com
http : //www.fleu-valve.com